

Domestic axial fan with throttle CODE Series User Manual



Introduction

Thank you for choosing our product. Reading of this manual is required for proper use of the device and absolute observance to its guidelines is fundamental condition of security.

All users of the device should have free access to the manual and in case of resale, the instruction must be attached to the product.

Package contents

- domestic axial fan CODE
- user manual

Transport and storage

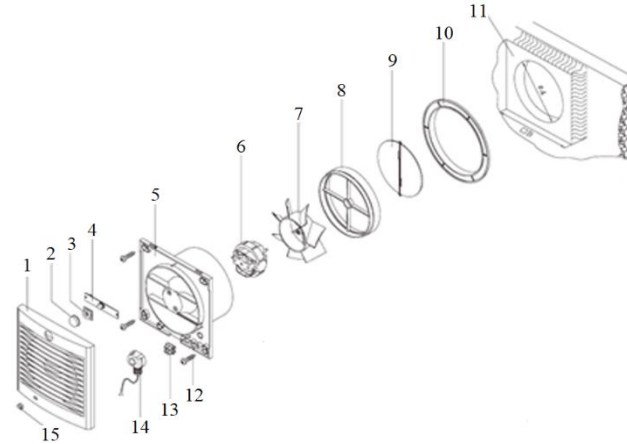
The fan should be transported and stored in the original packaging in a dry place protected from contamination, until it is installed. Moreover, the fan should be protected from the shocks.

Application

Axial fans from the CODE series are designed for wall mounting. They are used for ventilation of small spaces such as a bathroom or kitchen.

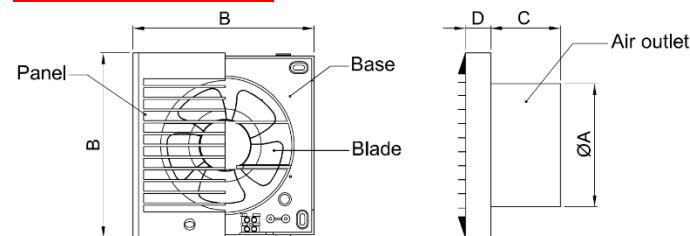
The device in white color version.

Construction of the device



- | | | |
|---------------------|--------------------|--------------|
| 1 – Panel | 2 – Sensor Cover | 3 – Sealing |
| 4 – Sensor/Timer | 5 – Base | 6 – Motor |
| 7 – Rotor | 8 – Throttle frame | 9 – Throttle |
| 10 – Fastening ring | 11 – Frame | 12 – Screws |
| 13 – Wire terminal | 14 – Switch | 15 - Diode |

Dimensions (in mm)



MODEL	ØA	B	C	D
CODE 100	98	157	60	21
CODE 120	118	157	65	21
CODE 150	148	200	76	21

Technical data

MODEL	CODE 100	CODE 120	CODE 150
Maximum airflow [m ³ /h]	130	240	320
Maximum compression [Pa]	36	45	60
Voltage [V]/Frequency [Hz]	230/50-60	230/50-60	230/50-60
Rated current [A]	0,072	0,11	0,138
Engine speed [rpm]	2400	2200	2000
Engine power [W]	12	16	18
IP protection degree [-]	X2	X2	X2
Noize [dB(A)]	34	34	35

Installation instructions

In order to accomplish the installation of the device successfully and enable the safe usage of the fan in the future, it is essential to follow the instructions in this manual.

Before installing and connecting the fan, check that it has not been damaged during transport or storage (breakage, distortion).

Check whether the technical data on the nameplate corresponds to the electrical installation parameters.

The device should be mounted on a flat surface.

If irregularities are not found, you can proceed with the installation as follows:

- prepare appropriate electrical wires
- mark the location of mounting holes
- drill the holes and put expansion bolts in them
- place the fan in the right place and tighten screw it
- connect the device to electrical grid

The electrical connection must be in accordance with the wiring diagram in the terminal box.

Warnings and precautions

During the operation of the device, the following precautions must be observed:

- before performing any work, the device must be disconnected from the power supply
- the fan is intended only for ventilation of rooms with small and medium cubature
- installation height of the exhaust fan min. 2.3 m
- do not connect the fan to the ceiling
- avoid backflow of air through the chimney

- ventilation grid should be installed to prevent water and insects from entering
- if you do not use it for a long time, it is recommended to disconnect the device from the power supply
- a constant supply of fresh air to the room must be ensured
- do not use the fan in a hazardous environment (i.e. near flammable materials, in a heavily polluted one) or in a place where it could be exposed to direct contact with water
- fan working temperature range is from -15°C to 40°C
- some elements of the fan become hot and touching them may cause burns
- unusual sounds during fan operation may indicate a malfunction
- failure to comply with the guidelines contained in this manual may result in damage to health or pose a threat to the life of the user

Maintenance

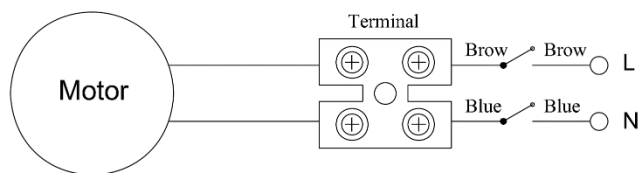
Maintenance of the device should be carried out depending on the working conditions, but not less than once a year.

Before starting any maintenance operations, disconnect the fan from the power supply and secure it against uncontrolled turning on.

In order to clean the fan it is necessary to:

- disassemble the device (remove the panel, housing, rotor)
- wash all parts with a damp cloth, taking care not to wet engine
- never use water at temperatures higher than 60°C, gasoline, benzene, thinner or any other organic solvent
- dry all elements thoroughly
- re-install the fan
- connect the fan to power supply

Wiring diagram

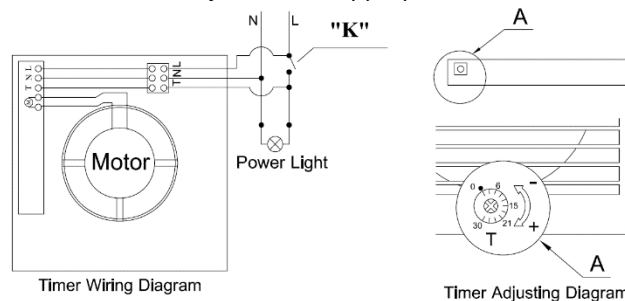


Device versions

1) With time switch (index "T" in the index)

The fan with timer switches on when it receives power. Then the device will continue operation for 1 – 30 minutes (depending on the settings).

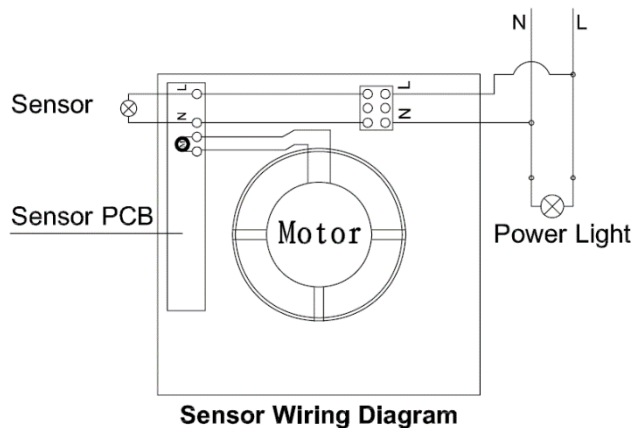
The time can be adjusted with appropriate knob.



2) With motion sensor (with "MS" index)

The fan with the motion detection sensor switches on automatically when the sensor detects motion in the sensor's operating area (semicircle with diameter 5 m), then it works until the movement stops and subsequently continues operation according to the time set on the time switch (so-called delay time). Timer settings can be adjusted in the range of 1 - 30 minutes.

The time can be adjusted with appropriate knob.



3) With a chain ("PC" in the name)

The fan equipped with a chain that allows manual switching on / off of the device.

Terms of warranty

I. Reventon Group Sp. z o.o. [Ltd.] is the supplier of the fans and provides 24-month warranty period CODE series.

II. The terms of warranty are valid from purchasing the device (the date issuing a document confirming the purchase of the device) but not further than 30 (thirty) months from leaving the supplier's warehouse.

III. The claim will be considered only if the document confirming the purchase (eg. copy of the invoice) and description of the fault is provided.

IV. The supplier is committed to consider the claim within 14 working days since the date of reporting (i. e. day when documents given in point III are provided).

V. Under the guarantee the supplier provides a repairment, replacement or refund for the defective device within a specified time limit.

VI. Warranty does not cover mechanical damage, degradation of the quality related with time passing and defects resulting from improper exploitation / maintenance or arbitrary repairs and modifications.

If there is any of the above, you will be charged for transport and / or repairs.

VII. The supplier do not cover the dismantling / mantling costs.

VIII. All correspondence should be send to the following address: Reventon Group Sp. z o.o., 556 Wyzwolenia Street, 43-340 Kozy, Poland or on e-mail: serwis@reventongroup.eu.

The supplier Reventon Group Sp. z o. o. reserves the rights to make changes in the technical data.

[Distributorius Lietuvoje:](#)

UAB ELSTAVA
 G li g. 2, Avižieniai
 LT-14184 Vilniaus r.
 Tel. +370 612 44222
info@elstava.lt
www.elstava.lt